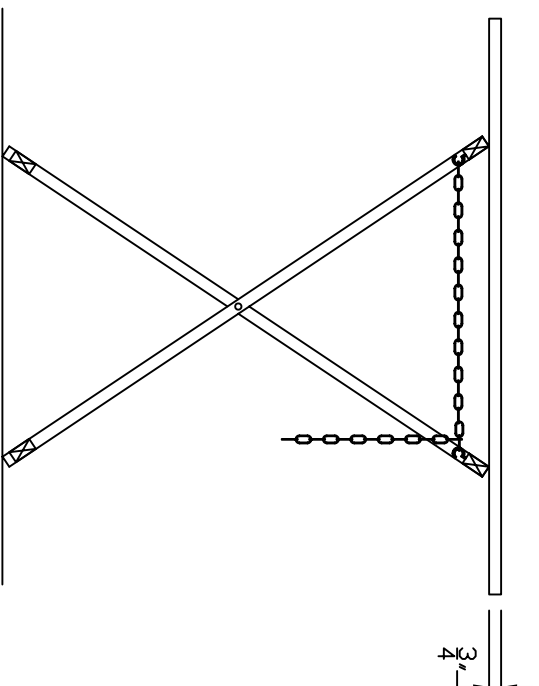
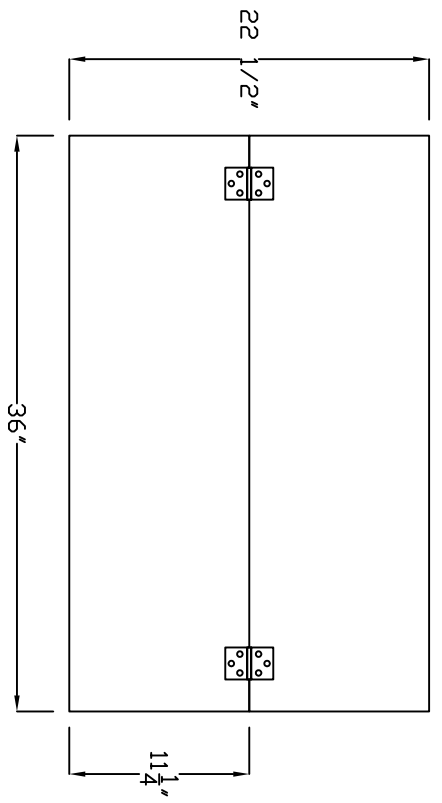


16th C. ITALIAN FOLDING TABLE, BASED UPON V&A EXAMPLE

SCALE: 1" = 1'-0"

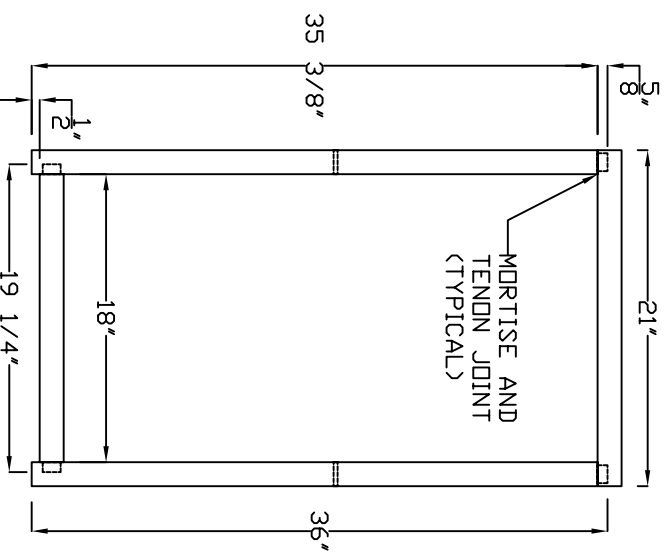
TOP VIEW



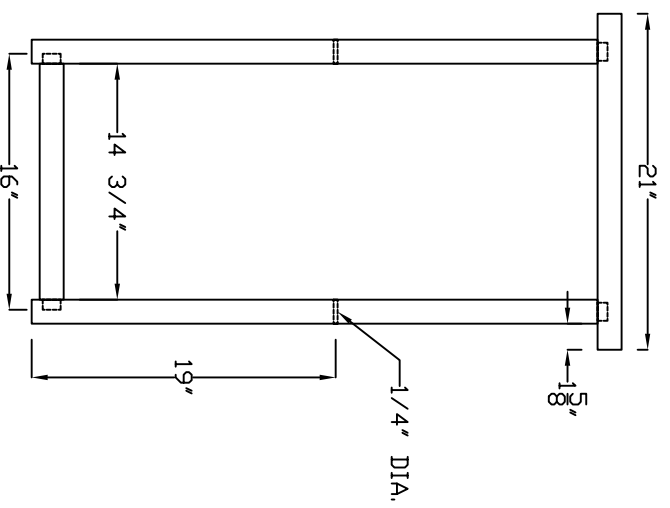
SECTION VIEW SHOWING HOOKS AND CHAINS

PROJECT INVENTORY:

- ONE 1"x12"x6' (TWO 3' SECTIONS FOR TOP)
- FOUR 1"x2"x6' (FOUR 3' LEGS, TWO 21" STRETCHERS,
- ONE 19 1/4" STRETCHER, ONE 16" STRETCHER)
- TWO HINGES
- 5' OF CHAIN (TWO 2'-6" LENGTHS)
- FOUR HOOKS
- TWO 4" LENGTHS OF 1/4" BRASS ROD
- SIX 1/4" BRASS WASHERS



OUTER LEGS



INNER LEGS